



PENN ALUMINUM CONDUIT & EMT

A Marmon / Berkshire Hathaway Company



Rigid Aluminum Conduit

The Smart Choice



Rigid Aluminum Conduit Is The Smart Choice.



Lower Cost

Our rigid aluminum conduit can lower costs and increase profits compared to using steel conduit. The lower cost of aluminum alloy and processing results in significant product cost savings over steel, while meeting all UL standards.



Versatile Material

The many benefits of aluminum conduit, along with its superior attractive appearance, make it the smart choice to replace steel in virtually all electrical raceway applications.



Reduced Labor

At 1/3 the weight of galvanized steel, Penn Aluminum Conduit makes installation faster and easier, requiring fewer people. It is estimated that labor cost savings of 30% to 70% are achievable compared to rigid steel conduit.



Non-Corrosive

Aluminum is naturally non-corrosive, offering outstanding protection for wiring in most applications. When aluminum oxidizes, a protective barrier is formed. In contrast, oxidation causes steel conduit to rust.



Enhanced Safety

Penn Rigid Aluminum Conduit is much safer for installers to use due to its significantly lighter weight than the same size of steel conduit. It's easier for employees to work with, reduces fatigue and lowers the risk of injury.



Non-Sparking

Aluminum is a non-sparking, non-ferrous metal, eliminating the risk of explosion from sparks in combustible environments. It also provides inherent EMI shielding and offers greater dissipation of heat compared to steel.



100% Recyclable

The proven environmental benefits of aluminum result from its recyclability. Nearly 75% of all aluminum alloy produced is still in use today. Penn Aluminum Conduit products are made from recycled aluminum. Both jobsite scrap and end-of-life product may be recycled and maintain monetary value.



Specification Data: Rigid Aluminum Conduit

- UL listed to UL6A Safety Standard (Steel UL6 Equivalent)
- Meets ANSI C80.5 Standard
- Aluminum Alloy: 6063, T-1 Temper
- Meets the provisions of the Buy American Act
- Custom lengths longer than 10 feet available

Penn Part Number	US Trade Size	Approximate Weight per 100 feet w/ coupling (lb.)	Nominal Outside Diameter* (in.)	Nominal Inside Diameter** (in.)	Nominal Wall Thickness** (in.)	Threads/Inch	Finished Length without Coupling*** (+/- .25 in.)	Master Bundle (Lift)		
								(ft.)	(pcs.)	(lb.)
P-012-10-RAC	1/2	28.1	0.840	0.632	0.104	14	9' 11-1/4"	2,500	250	703
P-034-10-RAC	3/4	37.4	1.050	0.836	0.107	14	9' 11-1/4"	2,500	250	935
P-100-10-RAC	1	54.5	1.315	1.063	0.126	11-1/2	9' 11"	2,000	200	1,090
P-114-10-RAC	1-1/4	71.6	1.660	1.394	0.133	11-1/2	9' 11"	1,000	100	716
P-112-10-RAC	1-1/2	88.7	1.900	1.624	0.138	11-1/2	9' 11"	1,000	100	887
P-200-10-RAC	2	118.5	2.375	2.083	0.146	11-1/2	9' 11"	450	45	533
P-212-10-RAC	2-1/2	187.5	2.875	2.489	0.193	8	9' 10-1/2"	300	30	562
P-300-10-RAC	3	246.3	3.500	3.090	0.205	8	9' 10-1/2"	200	20	492
P-312-10-RAC	3-1/2	295.6	4.000	3.570	0.215	8	9' 10-1/4"	200	20	591
P-400-10-RAC	4	350.2	4.500	4.050	0.225	8	9' 10-1/4"	200	20	700
P-500-10-RAC	5	478.9	5.563	5.073	0.245	8	9' 10"	80	8	383
P-600-10-RAC	6	630.4	6.625	6.093	0.266	8	9' 10"	60	6	378

* Applicable Tolerances - Outside Diameter 1/2" to 1-1/2": +/- 0.015"; 2" to 6": +/- 1%. ** For information only. Not a standards requirement.

*** Rigid Aluminum Conduit is manufactured to produce a 10' length of conduit when a standard coupling is attached.



Specification Data: Rigid Aluminum Couplings

- State-of-the-art CNC machining produces precise threaded couplings
- Fast, efficient, secure connections in the field
- UL listed to UL6A Safety Standard (Steel UL6 Equivalent)
- Meets ANSI C80.5 Standard
- Domestic Marine Grade Aluminum Alloy
- Meets the provisions of the Buy American Act

Couplings

Penn Part Number	US Trade Size	Approx. Weight per 100 Pieces (lb.)	Nominal Outside Diameter (in.)	Minimum Acceptable Length (in.)	Standard Carton Quantity (pcs.)	Threads per Inch
P-012-CPL	1/2	6.1	1.078	1-5/8	100	14
P-034-CPL	3/4	9.1	1.328	1-41/64	50	14
P-100-CPL	1	12.5	1.562	1-31/32	30	11-1/2
P-114-CPL	1-1/4	18.9	1.953	2-1/32	25	11-1/2
P-112-CPL	1-1/2	23.3	2.219	2-1/16	25	11-1/2
P-200-CPL	2	34.6	2.750	2-1/8	15	11-1/2
P-212-CPL	2-1/2	68.3	3.281	3-3/16	20	8
P-300-CPL	3	91.4	3.812	3-5/16	15	8
P-312-CPL	3-1/2	108.0	4.438	3-13/32	12	8
P-400-CPL	4	142.0	5.000	3-33/64	12	8
P-500-CPL	5	241.9	6.219	3-61/64	8	8
P-600-CPL	6	321.0	7.312	4-1/4	6	8

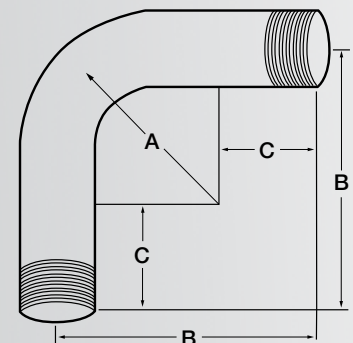


Specification Data: Rigid Aluminum Elbows

- State-of-the-art CNC machining produces precise threaded couplings
- Fast, efficient, secure connections in the field
- UL listed to UL6A Safety Standard (Steel UL6 Equivalent)
- Meets ANSI C80.5 Standard
- Meets the provisions of the Buy American Act

90° Elbows

Penn Part Number	US Trade Size	Approximate Weight per 100 pieces (lb.)	Nominal Dimensions (inches)		
			A	B	C
P-012-90-ELB	1/2	29.0	4.00	6.50	2.50
P-034-90-ELB	3/4	43.0	4.50	7.25	2.75
P-100-90-ELB	1	71.0	5.75	8.38	2.88
P-114-90-ELB	1-1/4	110.0	7.25	10.25	3.00
P-112-90-ELB	1-1/2	153.0	8.25	11.88	3.63
P-200-90-ELB	2	249.0	9.50	14.00	4.50
P-212-90-ELB	2-1/2	437.0	10.50	15.75	5.25
P-300-90-ELB	3	767.0	13.00	18.75	5.75
P-312-90-ELB	3-1/2	1036.0	15.00	21.75	6.75
P-400-90-ELB	4	1228.0	16.00	23.00	7.00
P-500-90-ELB	5	2490.0	24.00	36.00	11.00
P-600-90-ELB	6	3850.0	30.00	42.50	12.50



Penn Aluminum Conduit & EMT

The Smart Choice for All Your Conduit Needs.

As part of Marmon Holdings, Inc., a Berkshire Hathaway Company, Penn Aluminum Conduit & EMT carries on the proud 100-year history of Penn Aluminum – a premier manufacturer of aluminum tubing serving critical American industries.

All of our Rigid Aluminum Conduit and Aluminum EMT products are manufactured from US-produced domestic aluminum billet in our extrusion facility in Murphysboro, Illinois. This location provides a central source to service the strategic electrical markets in the Midwest and Western regions of the country.

From design to application engineering to manufacturing, the safety of our employees and the quality of our products are our highest priorities. Our constant focus on quality and continuous improvement is recognized through our ISO/IATF 16949 certification.

The benefits of aluminum conduit products result in overall electrical project savings, jobsite worker safety, and valued environmental sustainability, making them *the smart choice* in the competitive electrical industry. We look forward to long-term partnerships with electrical distributors, general contractors and end-user electricians in this dynamic and growing market.



Proudly Serving America's Heartland.



PENN ALUMINUM CONDUIT & EMT
A Marmon / Berkshire Hathaway Company



1117 North Second Street • Murphysboro, IL 62966
800-445-7366, Ext. 291
www.pennconduit.com

